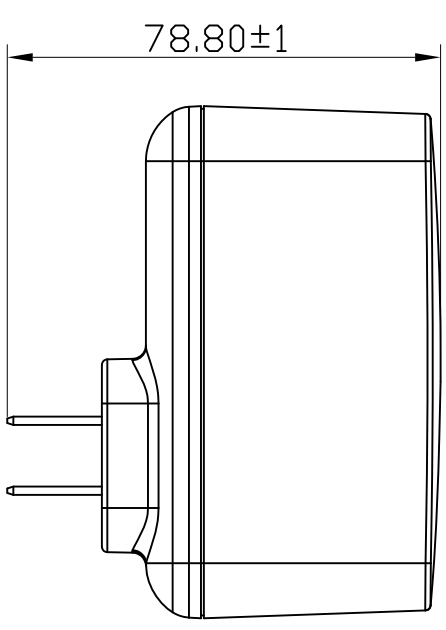
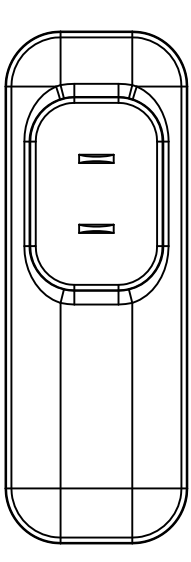
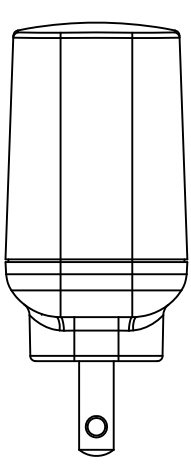
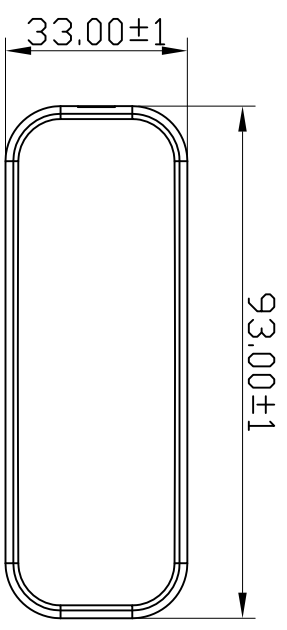
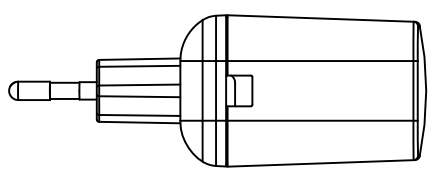
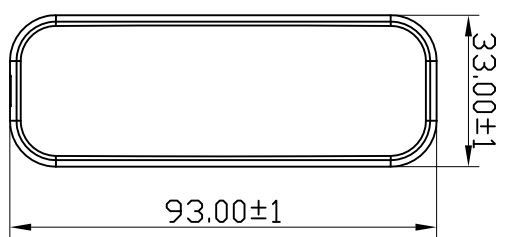
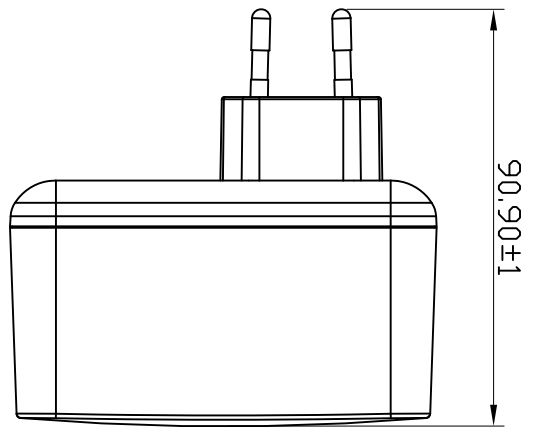
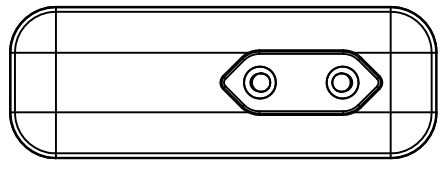


1	2	3	4	5	6	7	8	9	10	11	12
REVISION											
ISSUE ZONE	DESCRIPTION	DATE	REVISER								



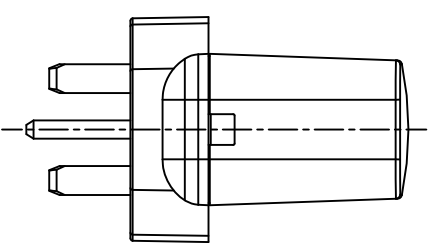
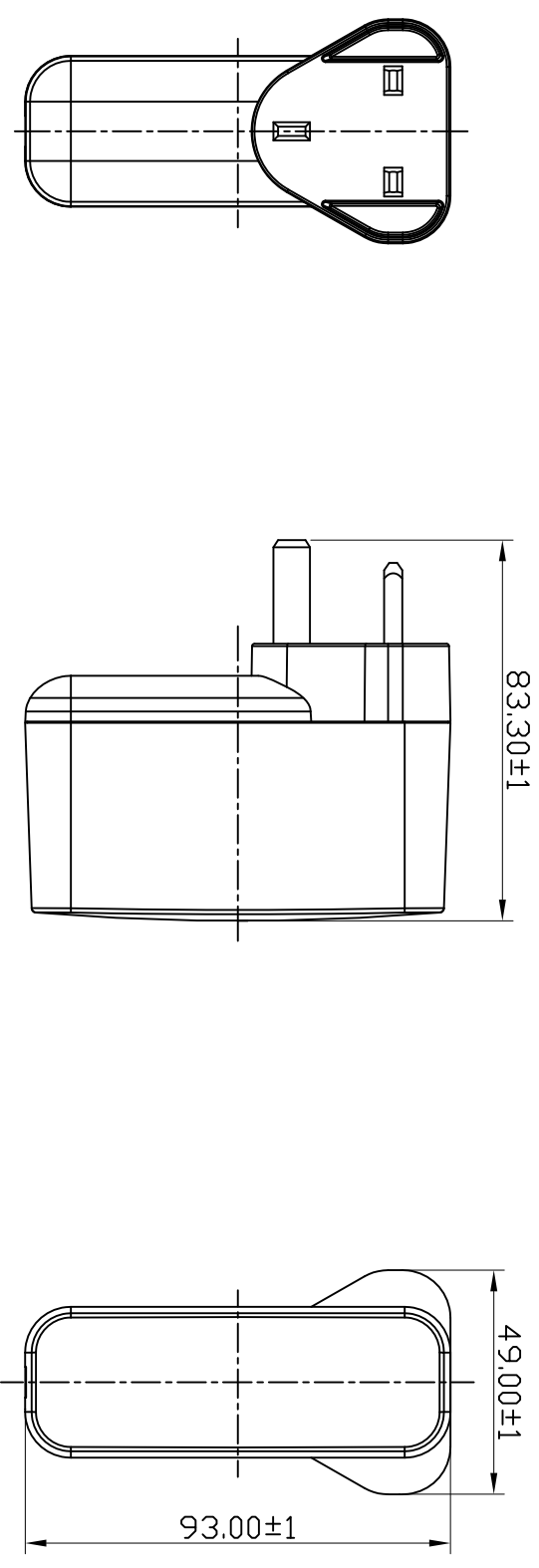
Item	Dimension	0~10	10~50	50~	帝闻电子有限公司		MODEL NO.	PART NO.	DWG. DATE	MATERIAL	PART NAME	UNIT
	center distance (metal)	±0.05	±0.10	±0.15								
I	center distance (resin)	±0.08	±0.10	±0.15	DESIGN	CHECKED	SAFETY	APPROVED	REV. DATE	FILE NO.	DRAWING NO.	SIZE
	general dimensions (metal)	±0.05	±0.10	±0.15								
	general dimensions (resin)	±0.08	±0.10	±0.15	DEE VAN ENTERPRISE CO., LTD.							FM-356(A)
1	2	3	4	5	6	7	8	9	10	11	12	

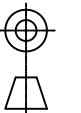
1	2	3	4	5	6	7	8	9	10	11	12
REVISION											
ISSUE ZONE	DESCRIPTION	DATE	REVISED								



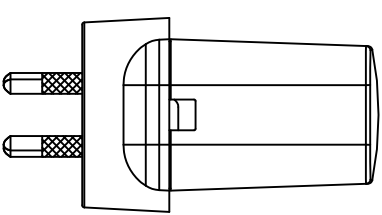
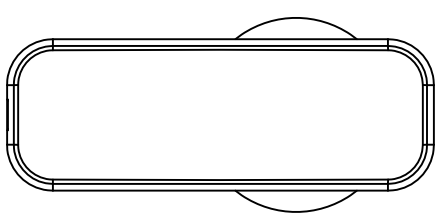
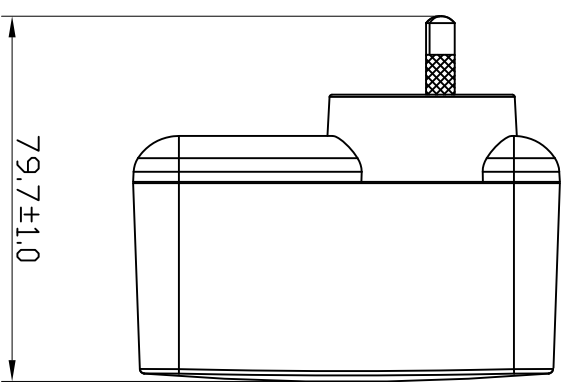
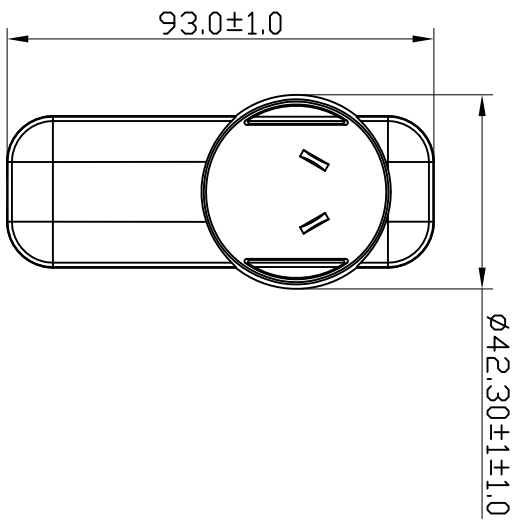
Item		Dimension			帝闻电子有限公司		MODEL NO.		PART NO.		DWG. DATE		MATERIAL		PART NAME		UNIT	
center distance (metal)		0~10	10~50	50~			DSA-36PRH				2016.10.17				欧规外磁圈		SCALE	
center distance (resin)		±0.05	±0.10	±0.15			CHECKED		SAFETY		APPROVED		REV. DATE		FILE NO.		DRAWING NO.	
general dimensions (metal)		±0.08	±0.10	±0.15									REV. DATE				SIZE	
general dimensions (resin)		±0.05	±0.10	±0.15									REV. DATE				REV.	
		±0.08	±0.10	±0.15									DEE VAN ENTERPRISE CO., LTD.				FM-356(A)	
1	2	3	4	5	6	7	8	9	10	11	12							

REVISION			
ISSUE ZONE	DESCRIPTION	DATE	REVISER
A			



Item	Dimension	0 ~ 10	10 ~ 50	50 ~	帝闻电子有限公司		MODEL NO.	PART NO.	DWG. DATE	MATERIAL	PART NAME	UNIT		
center distance (metal)		±0.05	±0.10	±0.15			DSA-36PRH		2016.10.17		英規外觀圖	SCALE		
center distance (resin)		±0.08	±0.10	±0.15			DESIGN	CHECKED	SAFETY	APPROVED	REV. DATE	FILE NO.	DRAWING NO.	SIZE
general dimensions (metal)		±0.05	±0.10	±0.15										A4
general dimensions (resin)		±0.08	±0.10	±0.15							DEE VAN ENTERPRISE CO., LTD.	REV.		
												FM-356(A)		

1	2	3	4	5	6	7	8	9	10	11	12
REVISION											
ISSUE	ZONE	DESCRIPTION	DATE	REVISER							
A											



Item	Dimension	0~10	10~50	50~	帝闻电子有限公司						
	center distance (metal)	±0.05	±0.10	±0.15							
I	center distance (resin)	±0.08	±0.10	±0.15	MODEL NO.	PART NO.		DWG. DATE	MATERIAL	PART NAME	UNIT
	general dimensions (metal)	±0.05	±0.10	±0.15	DSA-36PFH			2016.10.17		澳規外觀圖	SCALE
	general dimensions (resin)	±0.08	±0.10	±0.15	CHECKED	SAFETY	APPROVED	REV. DATE	FILE NO.	DRAWING NO.	SIZE
1	2	3	4	5	6	7	8	9	10	11	12
DESIGN											
DEE VAN ENTERPRISE CO., LTD.											
											REV.
											A
											FM-356(A)